

# Data Sheet

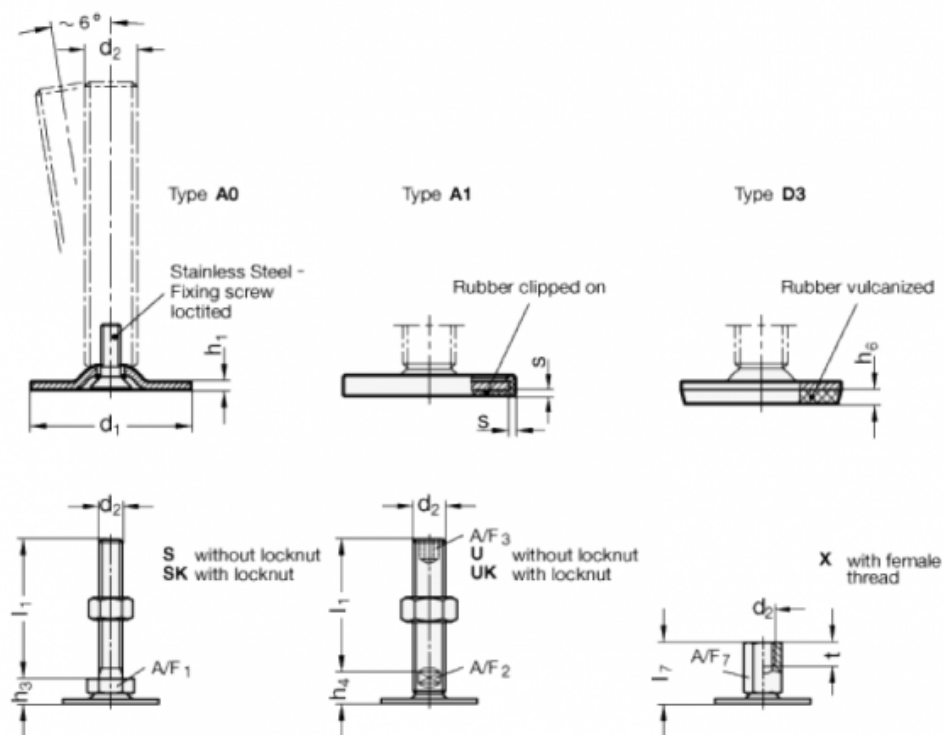


Article number: 204060M12125A3S

Description: E+G levelling foot  
GN 40-60-M12-125-A3-S

Note: S Without nut, External hexagon at the bottom

## Measures



A/F1	=	17
d1	=	60
d2	=	M12
h1	=	2.5
h3	=	11
h6	=	4.5
l1	=	125
s	=	